

Elevate your connectivity with our advanced drive-away antenna, designed to excel in the most challenging and mission-critical Ku and Ka-bands applications

Key Features

- Carbon fiber reflector and supporting system for lighter weight and higher reliability
- Complies with MIL-STD-188-164A, ITU-R S.580 and INTELSAT requirements
- Hi gain, low sidelobe, excellent pattern characteristics
- Auto-deploy and auto-stow smart switch to complete auto positioning, deployment and satellite acquisition
- Satellite deployment and acquisition within three minutes
- Motorized polarization adjustment
- Three control modes can be used for emergency and military operation environments: automatic, motorized, and manual
- Compatible with SpaceBridge ASAT™ and ESTELLA modems, SSPAs and BUCs
- Can be integrated to any ground network connectivity solution



RF CHARACTERISTICS

Model	SBDA120X	SBDA120UL	SBDA120UX	SBDA120A
Band	X	App30B-15 Ku	Kx	Ka
Tx Freq. (GHz)	7.9 – 8.4	12.75 – 13.25	13.75 – 14.5	27.5 – 31.0
Rx Freq. (GHz)	7.25 – 7.75	10.7 – 11.7	10.7 – 12.75	18.3 – 20.2
Polarization	Circular	Linear	Linear	Circular
Tx Gain mid-band	≥ 38.2 dBi	≥ 42.4 dBi	≥ 43.1 dBi	≥ 49.2 dBi
Rx Gain mid-band	≥ 37.6 dBi	≥ 41.3 dBi	≥ 41.8 dBi	≥ 46 dBi
XPD (dB)	≥ 30	≥ 35	≥ 35	≥ 25
VSWR	≤ 1.25:1	≤ 1.25:1	≤ 1.25:1	≤ 1.3:1
Isolation, Tx to Rx	≥ 110 dB	≥ 85 dB	≥ 85 dB	≥ 85 dB
Feed Interface	WR112	WR75	WR75	WR42 WR28
Sidelobe	MIL-STD-188-164A	ITU-R S.580	ITU-R S.580	ITU-R S.580

MECHANICAL

Reflector size	1.2m
Reflector type	Offset
Material of the reflector	Single-Piece Carbon Fiber
Drive mode	Manual or Motorized
Travel range	
Azimuth	±220°
Elevation	10 – 90°
Polarization	180° (linear)
Speed Rate	
Azimuth	0.1 – 6°/sec
Elevation	0.1 – 6°/sec
Antenna Net Weight	85kg
Acquisition time	≤ 3min
Tracking Accuracy	Better than 1/8 of 3dB beamwidth
Tracking Mode	Beacon or DVB
Positioning Mode	GPS

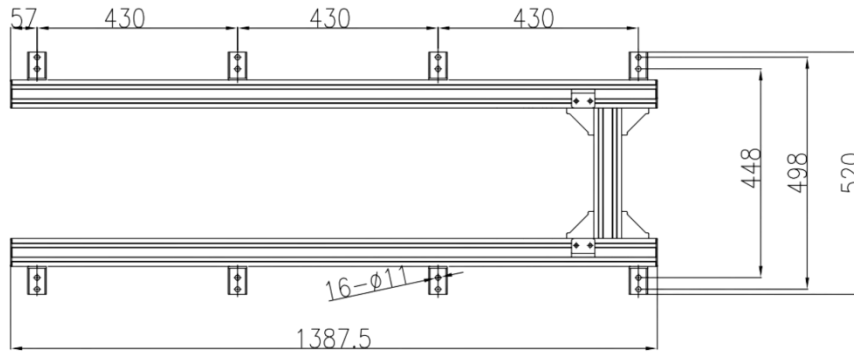
POWER

Power Supply	100 – 240VAC, 50/60Hz
Power Consumption	≤ 350W, BUC not included

ENVIRONMENTAL

Operational Temperature	-40°C - +60°C
Storage Temperature	-55°C - +75°C
Operational Wind Speed	72km/h, gusting to 97km/h
Survival Wind Speed	Stowed, 216km/h
Operational Rain	100mm/h
Humidity	95% @20°C
Ingress protection	IP65
Vibration	MIL-STD-810F
Corrosion	MIL-STD-1250

Antenna vehicle mount interface dimensions (mm)



Antenna vehicle mount interface dimensions (mm)

